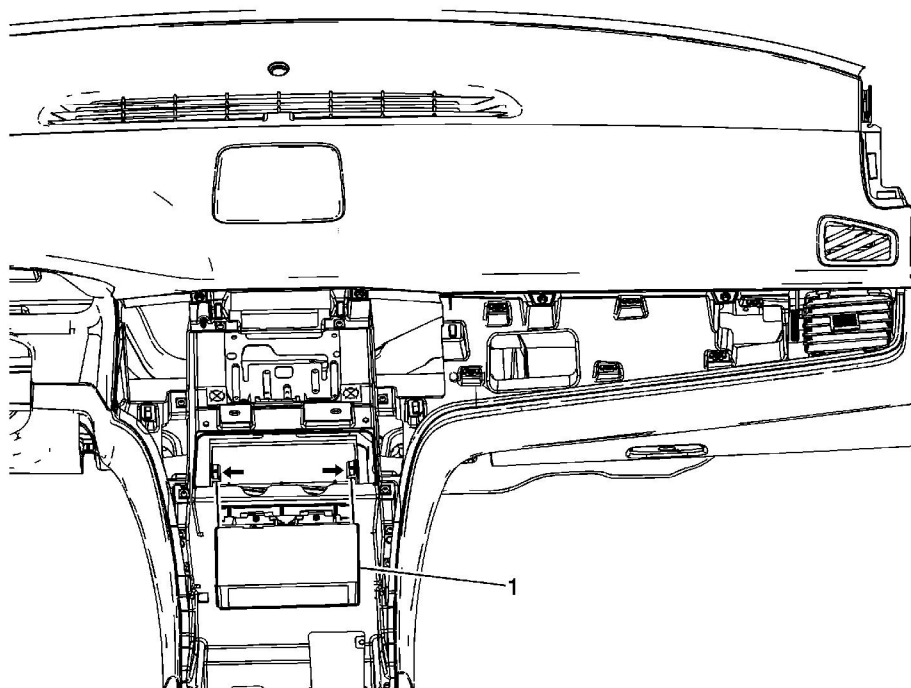


## Communication Interface Module Replacement (Cadillac)



Callout	Component Name
<b>Preliminary Procedure</b>	
<ol style="list-style-type: none"> <li>1. Remove the instrument Panel Accessory Trim Plate. Refer to <a href="#">Instrument Panel Accessory Trim Plate Replacement</a>.</li> <li>2. Remove the radio. Refer to <a href="#">Radio Replacement</a>.</li> <li>3. Remove the HVAC Control Module. Refer to <a href="#">HVAC Control Module Replacement</a> or <a href="#">HVAC Control Module Replacement</a>.</li> </ol>	
1	<p>Communication Interface Module</p> <p><b>Tip</b></p> <ul style="list-style-type: none"> <li>• Push outward on the two tabs to release the communication interface module from the bracket.</li> <li>• Disconnect the electrical connectors.</li> <li>• When replacing the communication interface module be sure to transfer Bluetooth Antenna, if equipped.</li> <li>• Reprogram the communication interface module after replacement. Refer to <a href="#">Control Module References</a>.</li> </ul>

© 2012 General Motors Corporation. All rights reserved.